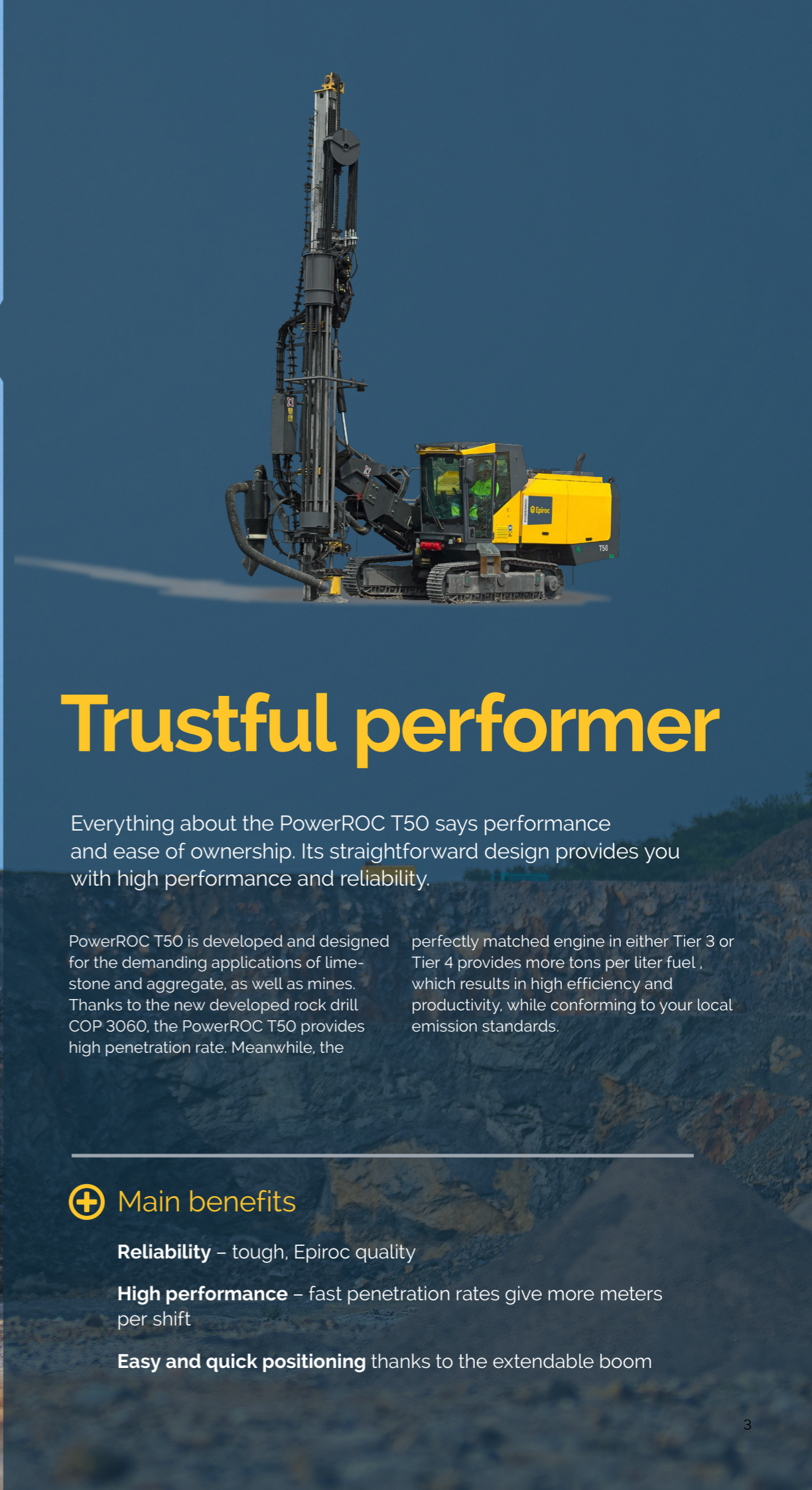


# PowerROC T50

Surface drill rig for quarrying and open pit mining  
Hole diameter: 102–152 mm (4"–6")





# Trustful performer

Everything about the PowerROC T50 says performance and ease of ownership. Its straightforward design provides you with high performance and reliability.

PowerROC T50 is developed and designed for the demanding applications of limestone and aggregate, as well as mines. Thanks to the new developed rock drill COP 3060, the PowerROC T50 provides high penetration rate. Meanwhile, the

perfectly matched engine in either Tier 3 or Tier 4 provides more tons per liter fuel, which results in high efficiency and productivity, while conforming to your local emission standards.

## ⊕ Main benefits

**Reliability** – tough, Epiroc quality

**High performance** – fast penetration rates give more meters per shift

**Easy and quick positioning** thanks to the extendable boom

# Excellent driller with striking efficiency

Thanks to its modular design and a high degree of commonality with other Epiroc products, reserve parts are only a phone call away thanks to our global service network.



## + Working faster than you expect

Our rigs are built tough. The PowerROC T50 is designed to operate in environments where productivity, durability, and availability are essential. Its straightforward design and power gives you a workhorse you can depend on year after year.



## + Get it right the first time

Our rock drills are known for their high efficiency and constant hole bottom contact due to the double dampening system. Not only does PowerROC T50 have the powerful COP 3060 rock drill, we've also matched it with an Atlas Copco air compressor that provides sufficient amounts of air to ensure a high quality hole. The PowerROC T50 is also equipped with aluminium feed instead of a steel feed, for much straighter and more consistent holes.



## + Put holes in the ground and not in your pocket

When it comes to work, the PowerROC T50 is all business and easy to own. Simplified hydraulic and electrical systems ensure easier operation and less downtime. All vital functions are at your fingertips for excellent drilling control. Because we understand that long work shifts can drain an operator's energy and productivity, for added comfort the cabin has great visibility, extra vibration dampers, and is ROPS and FOPS certified.

## A comprehensive service offering

Even the best equipment needs to be serviced regularly to make sure it sustains peak performance. An Epiroc service solution offers peace of mind, maximizing availability and performance throughout the lifetime of your equipment. We focus on safety, productivity and reliability.

By combining genuine parts and an Epiroc service from our certified technicians, we safeguard your productivity – wherever you are.



## Technical specifications

### Main components

- Track frames with triple grouser pads, cleaning holes and hydraulic track oscillation and two speed traction
- Tier 3 (Stage IIIA) diesel engine/Tier 4 final (Stage IV) diesel engine, CAT C 9.3B
- Screw type air compressor
- Air-conditioned cabin, ROPS and FOPS certified
- Extendable boom
- Motor driven aluminium feed system
- Carousel type rod handling system
- Hydraulic rock drill
- Dust collection system

### Engine

CAT turbo charged, diesel engine C 9.3B, Tier 3/Stage IIIA	Metric	US
Power rating at 1800 rpm	280 kW	380 hp
CAT turbo charged, diesel engine C 9.3B, Tier 4 final/Stage IV	Metric	US
Power rating at 1800 rpm	280 kW	380 hp

### Feed

	Metric	US
Feed extension	1900 mm	74.8'
Feed rate, max	0.7 m/s	138 ft/min
Feed force, max	50 kN	11 240 lbf
Tractive pull, max	50 kN	11 240 lbf
Total length	9 370 mm	369'
Travel length	5 400 mm	212.6'

### Compressor

Atlas Copco C146, screw type air compressor	Metric	US
Working pressure, max	10.5 bar	152 psi
FAD, at normal working pressure	232 l/s	492 cfm

### Electrical system

Voltage	24 V
Batteries	2 x 12 V, 235 Ah
Alternator	24 V, 95 A
Work lights, front	4 x 70 W
Work lights, rear	2 x 70 W
Work lights, feed	2 x 70 W
Warning lamp and reverse alarm buzzer	

### Hydraulic system

Hydraulic oil cooler	Metric	US
Max ambient temperature	50°C	122°F

### Volumes

Hydraulic oil tank	380 l	100 US gal
Hydraulic system, total	470 l	124 US gal
Compressor oil	55 l	14.7 US gal
Diesel engine oil	32 l	7.9 US gal
Diesel engine, cooling water	51 l	13.5 US gal
Diesel engine, fuel tank	500 l	132 US gal
Traction gear	3 l	0.8 US gal
Lubrication tank (ECL)	7 l	1.8 US gal

### Dust collector

	Metric	US
Filter area	20 m <sup>2</sup>	215 sq.ft
Number of filter elements	20 pcs	20 pcs
Cleaning air pressure, max	8.0 bar	116 psi
Cleaning air consumption	2-4 l/pulse	0.06-0.12 cu.ft/pulse

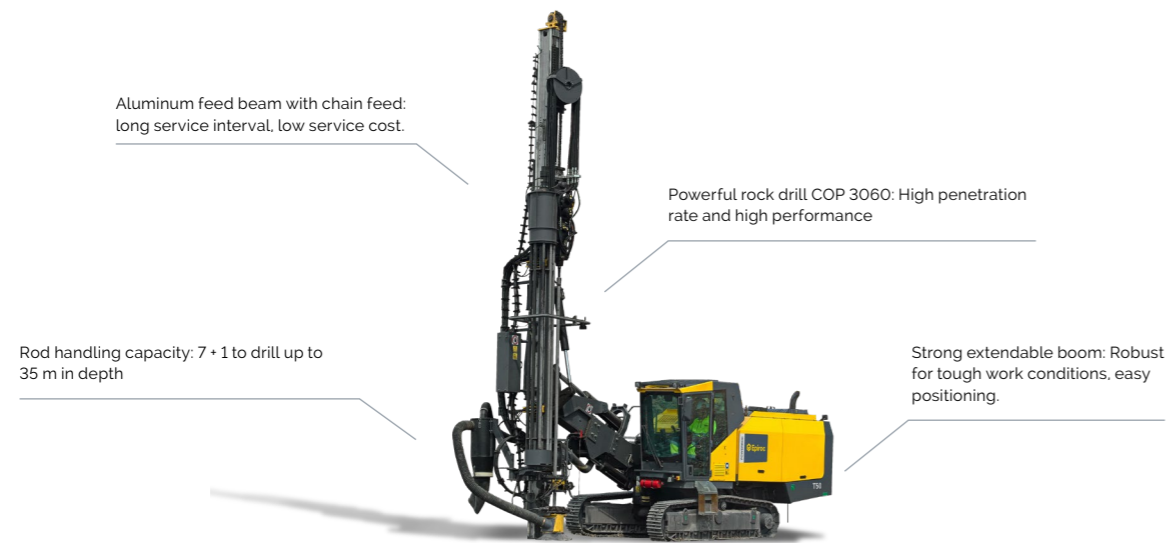
### Hole range(recommended)

Type of drilling	Drill steel type	Drilling diameter		Max hole depth		Drill steel length	
Single pass	T51, T-Wiz 60	102-152 mm	4-6'	5.08 m	16'8"	4 270/3 660/6 096 mm	14'/12'/20'
Extension drilling				35 m	118'	4 270 x 7	14' x 7
						3 660 x 7	12' x 7

### Hydraulic rock drill

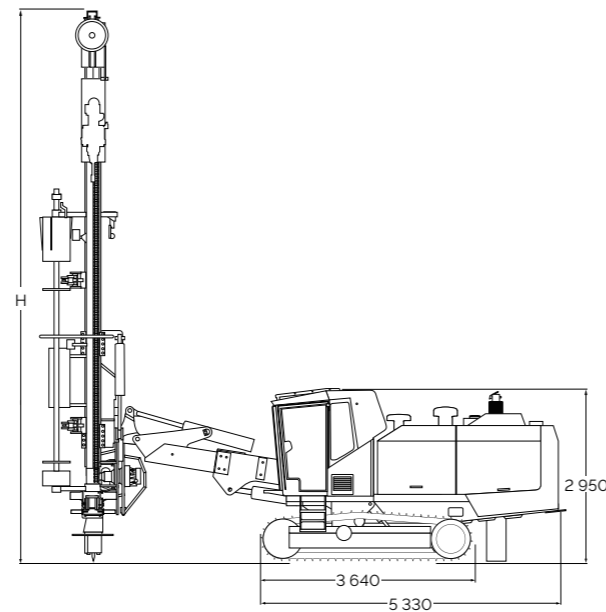
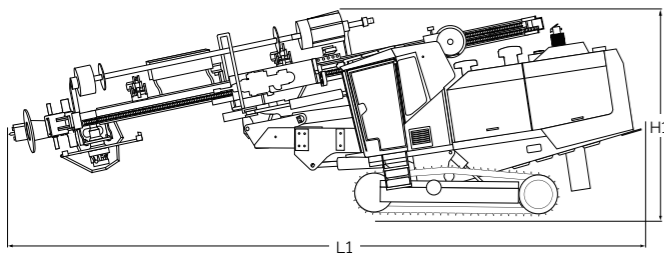
Rock drill	Impact power		Hydraulic pressure		Impact rate	Max torque		Weight approx	
COP 3060	30 kW	40.2 hp	240 bar	3 481 psi	50 Hz	2 770 Nm	2 043 lbf/ft	355 kg	783 lb
			225 bar	3 263 psi	43 Hz				

## Technical specifications



### Transport dimensions

	Metric	US
Height (H1)	3 485 mm	1372"
Length (L1)	10 900 mm	429.1"
Feed height (H)	9 370 mm	368.9"
<b>Weight</b>		
Tier 3/Stage IIIA	22 200 kg	48 943 lb
Tier 4 final/Stage IV	22 800 kg	50 265 lb



### Selection of options

#### Carrier

- Hydraulic support leg
- Super rotation system
- Service hand lights inside canopy
- Combined warning sound and warning light, beacon type
- Engine air filter pre-cleaner
- Compressor air filter pre-cleaner
- Electric pump for filling hydraulic oil
- Electric fuel filling pump
- Fast fuel filling system
- Cold weather kit +5°C to -25 °C, including diesel engine heater and compressor regulation heating kit
- Rock drill lubrication oil collection system

#### Safety Cabin

- Radio
- Reverse camera with cab mounted monitor

#### Hole measuring systems

- 2D angle indicator
- 3D angle indicator

#### Lube oil, lube system and water mist system

- Central Lubrication System (CLS)
- Thread greasing device, spray system
- Artic hydraulic oil, VG 32
- Tropical hydraulic oil, VG 68
- Biological hydraulic oil, VG 46
- Water mist system with water pump and 400l water tank

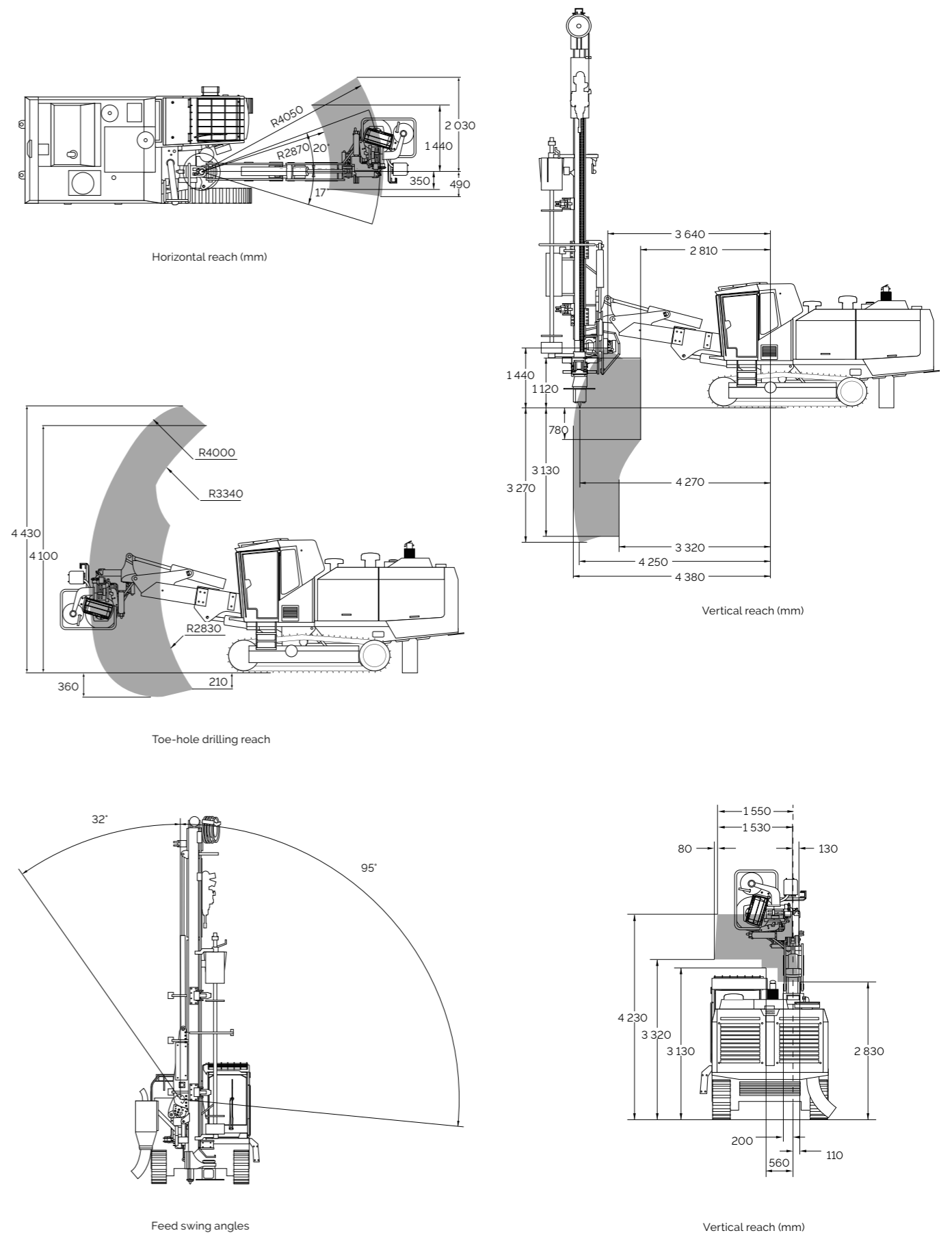
#### Feed

- Wide feed foot
- RHS for T51 - 12'/14' SPEEDROD
- RHS for T51 - 12'/14' with 72 mm coupling
- RHS for T-Wiz 60 - 12'/14' SPEEDROD
- RHS for T-Wiz 60 - 12'/14' with 85 mm coupling
- Sleeve retainer

#### Delivered equipment, not mounted

- Conversion kit T51
- Conversion kit T-Wiz 60

## Technical specifications



## United in performance. Inspired by innovation.

Performance unites us, innovation inspires us, and commitment drives us to keep moving forward. Count on Epiroc to deliver the solutions you need to succeed today and the technology to lead tomorrow.  
**[epiroc.com](http://epiroc.com)**

