

FlexiROC T45

Surface drill rig for quarrying and construction

Standard boom hole diameter: 89–140 mm (3.5"–5.5")

Folding boom hole diameter: 89–127 mm (3.5"–5")



Precise power means low fuel consumption

Thanks to the roc drill system COP Logic, the FlexiROC T45 adapts its power output to the drill conditions. This means less fuel consumption and reduced wear.

The FlexiROC T45 uses the exact amount of energy that the work demands. Add to that, a dependable construction, a wide range of use and a cabin environment with the operator in mind – and you've got a machine you can rely on.



⊕ Main benefits

Lowest possible fuel consumption and highest possible fuel efficiency

Continuously delivers result due to robust hydraulics and reliable control system

High availability guaranteed thanks to the dependable construction

Efficient and versatile in all conditions

The FlexiROC T45 is designed and constructed for high performance in construction work. It is also an efficient alternative for medium size open pit mines. Even in the most demanding terrain, this rig can work effectively thanks to the reach of its long boom and low centre of gravity.

+ Flexibility for long-term productivity

The FlexiROC T45 is equipped with Epiroc's dependable and highly productive rock drill control system, COP Logic. The system is upgradable and ready for future updates, this is the market's most advanced system. A proportional management of feed torque, and impact enables the rig to drill more efficiently even under the most demanding conditions.

+ Built to protect your core business

A world-class drill rig has to have a world-class cabin. A comfortable and efficient operator is crucial for maximum productivity. The clean lines of the FlexiROC T45 cabin are the result of a focus on ergonomic user-friendliness.

+ Less is more

Compared to other rigs on the market, the FlexiROC T45 has 50% fewer hoses and 70% fewer couplings. This construction reduces the risk for leakage and because hydraulic functions and electronic modules are located in proximity to their function, the components are easily accessible for maintenance.

A comprehensive service offering

Even the best equipment needs to be serviced regularly to make sure it sustains peak performance. An Epiroc service solution offers peace of mind, maximizing availability and performance throughout the lifetime of your equipment. We focus on safety, productivity and reliability.

By combining genuine parts and an Epiroc service from our certified technicians, we safeguard your productivity – wherever you are.



Technical specifications

Main components

- Crawler type two speed undercarriage with track oscillation system
- Caterpillar turbo charged diesel engine
- Atlas Copco screw type compressor
- Dust pre separator
- Combined warning sound and warning light
- Standard boom system/folding boom system
- Air flow switch
- Rock drill lubrication system
- COP Logic
- Toe-hole drilling system
- Carousel type rod handling system
- Hydraulic double drill steel support with movable dust collector hood
- Double hose drum
- Dust collection system (DCT)
- Operator's cabin, FOPS and ROPS approved

Hole range (recommended)

	Threads	Metric	US
Standard boom	T51, T60	Ø 89-140 mm	Ø 3.5-5.5'
Folding boom	T45, T51	Ø 89-127 mm	Ø 3.5-5'
Rods and length			
Standard boom with hydraulic rod handling system for max hole length, with 4.2 m (14') extension rods and a 6.1 m (20') starter rod	T51, T60	35 m	115'
Folding boom hydraulic rod handling system for max hole length, with 3.6 m (12') extension rods and a 4.2 m (14') starter rod	T45, T51	29 m	95'

Hydraulic rock drill

Rock drill	Boom	Impact power	Hydraulic pressure, max		Impact rate, max	Torque, max		Weight approx	
COP SC25-HE	Folding boom	25 kW/33.5 hp	200 bar	2 900 psi	44 Hz/55 Hz	1 550 Nm	1 143 lbf/ft	195 kg	430 lb
COP SC25X-HE						1 970 Nm	1 453 lbf/ft	249 kg	549 lb
COP 3060	Standard boom	30 kW/41 hp	240 bar	3 481 psi	50 Hz	2 450 Nm	1 807 lbf/ft	315 kg	694 lb
COP 3060EX								355 kg	783 lb

Feed with standard boom

Hydraulic chain driven aluminum feed with hose guide and double drill steel support with movable lower guide/dust hood	Metric	US
Feed extension	1 900 mm	75'
Feed rate, max	0.9 m/s	177 ft/min
Feed force, max	40 kN	8 992 lbf
Tractive pull, max	50 kN	11 240 lbf
Total length	9 500 mm	374'
Travel length	5 520 mm	217'

Feed with folding boom

Hydraulic chain driven steel feed with hose guide and double drill steel support with moveable lower guide/dust hood	Metric	US
Feed extension	1 150 mm	45'
Feed rate, max	0.9 m/s	177 ft/min
Feed force, max	20 kN	4 496 lbf
Tractive pull, max	30 kN	6 744 lbf
Total length	7 700 mm	303'
Travel length	4 610 mm	182'

Engine

Caterpillar turbo charged diesel engine	
CAT C9.3 Tier 4 Final/Stage 5 (EU/US cert.)	250 kW/340 hp (at 1 900 rpm)
CAT C9 Tier 3/stage IIIA	242 kW/325 hp (at 1 900 rpm)

Compressor

Atlas Copco C146-07, screw type compressor	Metric	US
Working pressure, max	12 bar	174 psi
FAD, at normal working pressure	223 L/s	472 cfm

Carrier

	Metric	US
Tramming speed	3.4 km/h	2.1 mph
Track oscillation	±10°	±10°
Ground clearance	405 mm	16"

Volumes

	Metric	US
Hydraulic oil tank	100 l	36.4 gal
Hydraulic system, total	240 l	63.4 gal
Compressor oil	52 l	13.7 gal
Diesel engine oil	32 l	8.4 gal
Diesel engine, cooling water	75 l	19.8 gal
Diesel engine fuel tank	400 l	105.7 gal
Traction gear	3 l	0.8 gal
Lubrication tank (ECL)	23 l	6.1 gal

Dust collector DCT 200

	Metric	US
Filter area	20 m²	215 sq.ft
Number of filter elements	20 pcs	20 pcs
Suction capacity at 500 mm wg	540 L/s	1 144 cfm
Suction hose diam	127 mm	5"
Cleaning air pressure, max	7.5 bar	109 psi
Cleaning air consumption	2-4 l/pulse	0.06-0.12 cu.ft./pulse

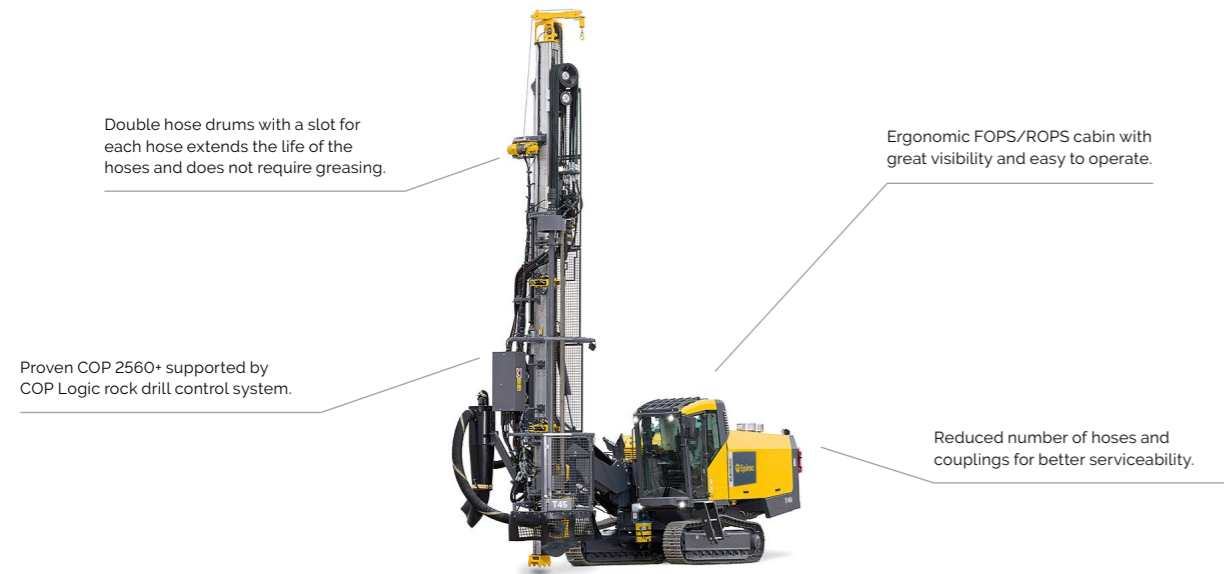
Electrical system

Voltage	24 V
Batteries	2 x 12 V, 185 Ah
Alternator	28 V, 105 Ah
Work lights LED type, front	4 x 3 500 Lumen
Work lights LED type, rear	2 x 3 500 Lumen
Work lights LED type, feed	2 x 5 300 Lumen
Warning lamp and reverse buzzer	

Hydraulic system

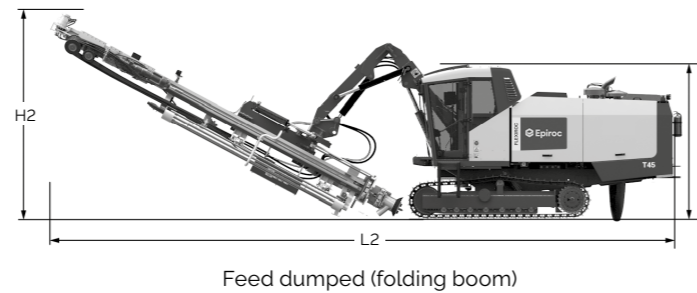
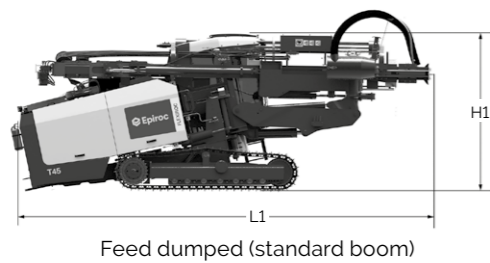
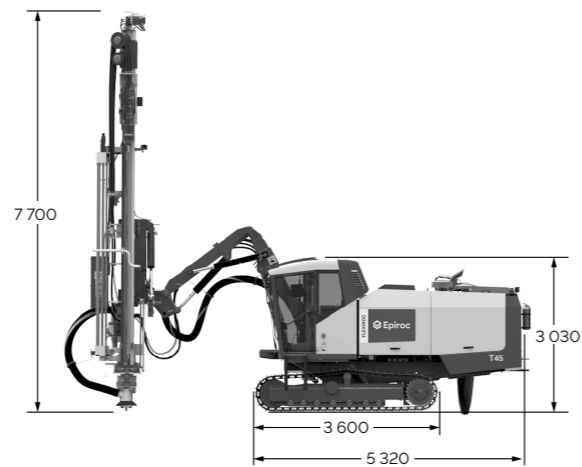
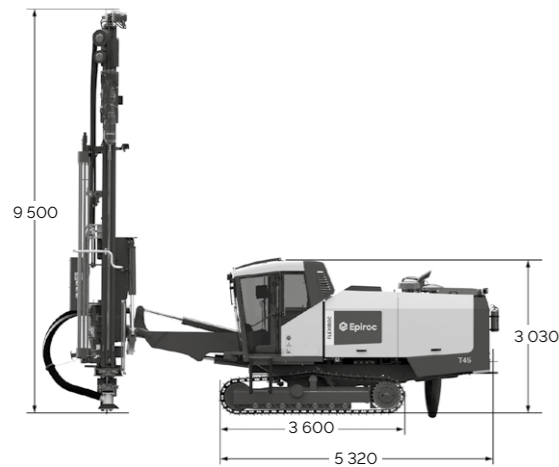
Return & drainage filters (filtration rate)	10 µm absolute	
Pumps at 1900 rpm	Metric	US
Axial piston pump (1)	160 L/min	42.3 gal/min
Gear pump (2)	120 L/min	31.7 gal/min
Gear pump (3)	40 L/min	10.6 gal/min
Gear pump (4)	40 L/min	10.6 gal/min
Gear pump (5)	40 L/min	10.6 gal/min
Hydraulic oil cooler max. amb. temp.	50°C	122°F

Technical specifications



Cabin

- Air conditioning
- FOPS and ROPS approved with rubber vibration dampers
- 2 x wipers with washer
- Clear laminated glass (front and roof windows)
- Clear toughened glass (side and rear windows)
- Fully adjustable operator's seat
- Adjustable foot rest
- Cabin light
- Rig inclination indicator
- Rear view mirror
- Fire extinguisher, 6 kg (13 lbs) dry chemical type ABE class III type
- Outlet socket, 24 V
- Prepared with speakers for radio/CD
- Combined front mounted platform/tool box
- Electric combined engine/inclination/hole length instrument in main computer display



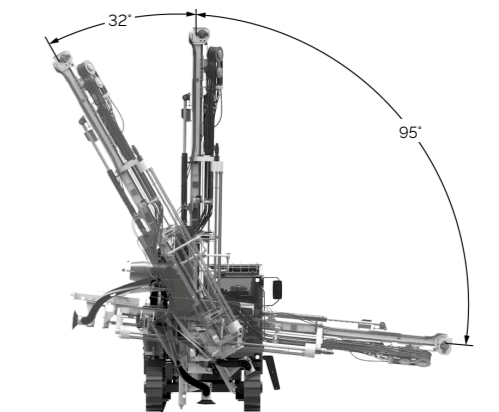
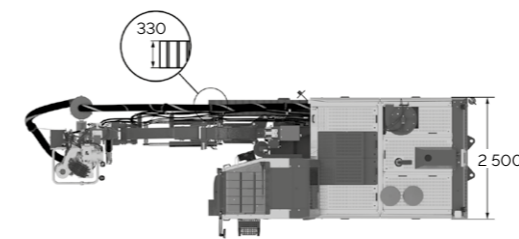
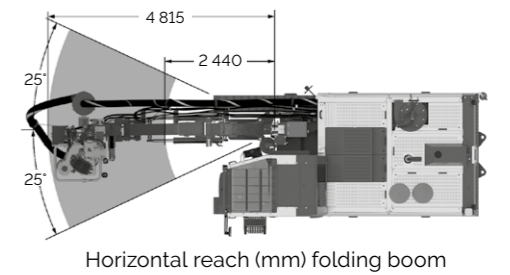
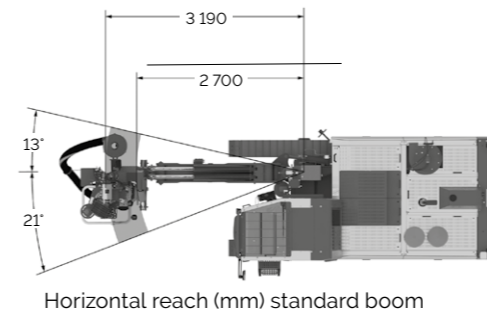
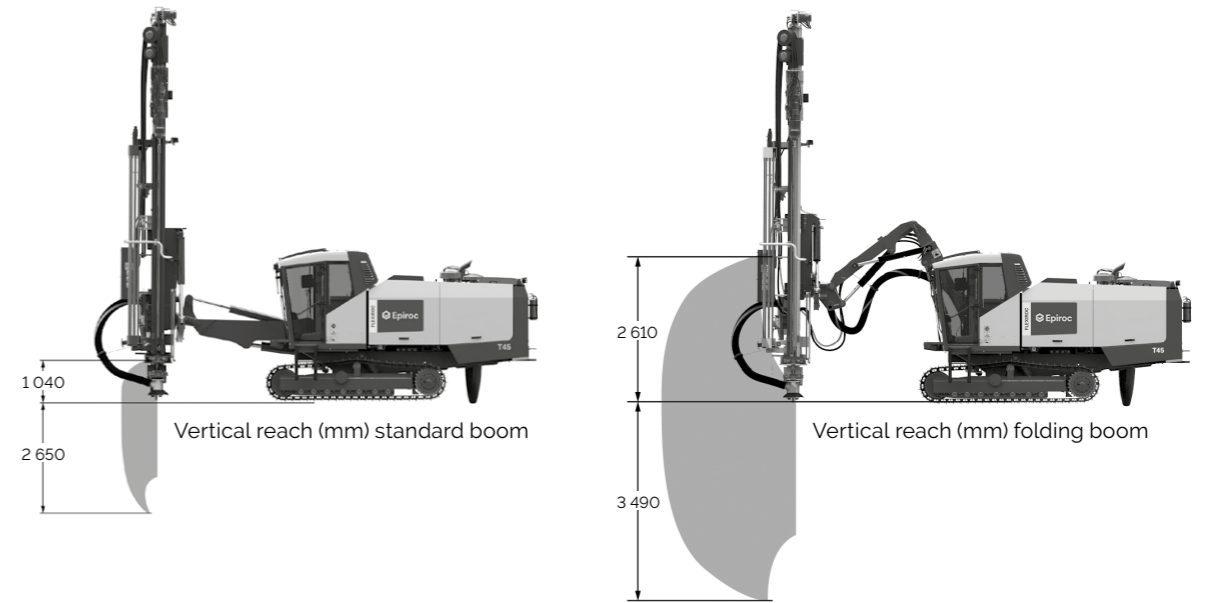
Transport dimensions

Standard boom	Metric	US
Height (H1)	3 300 mm	130'
Length (L1)	10 700 mm	422'
Folding boom		
Height (H2)	3 300 mm	130'
Length (L2)	13 300 mm	524'

Weight

Standard unit excluding all options and drill steel	Metric	US
Standard boom	20 100 kg	44 313 lb
Folding boom	17 700 kg	39 022 lb

Technical specifications



Valid for both standard and folding boom

Selection of options

Carrier

- Hydraulic support leg
- Hydraulic winch, radio remote controlled with towing eye and wire guides
- Electric refuelling pump
- Track chains with single/triple grouser pads
- Extra LED work lights
- Water mist system, 225 l

Safety cabin

- Clear laminated glass (front and roof windows)
- Tinted toughened glass (side and rear windows)
- Wiper for right hand side window
- Sun shade kit (rear side and rear windows)
- Radio/CD
- Reverse camera

Feed

- Wide feed foot
- TDS guide tube guides for drill steel support:
 - TDS 64 for 64 mm guide tube
 - TDS 76 for 76 mm guide tube
 - TDS 87 for 87 mm guide tube

Hole measuring systems

- Laser receiver upgrading kit
- GPS compass for parallel holes

Lubrication

- Central lubrication system, type HydroScand
- Thread greasing device ECG (with oil)
- Thread greasing device, brush type (with grease)
- PAR Oil S
- PAR Oil M

Environment conditions

- Diesel driven engine heater
- Artic hydraulic oil, VG 32
- Tropical hydraulic oil, VG 68
- Biological hydraulic oil, VG 46

Rock Drill control system

- Progressive COP Logic

Delivered equipment, not mounted

- Gas charging equipment for rock drill
- First 50 hours service kit for compressor
- Conversion kit T45, T51, T60
- ROC Manager with bench plan
- RCS service tool box
- Electrical tool kit

United in performance. Inspired by innovation.

Performance unites us, innovation inspires us, and commitment drives us to keep moving forward. Count on Epiroc to deliver the solutions you need to succeed today and the technology to lead tomorrow.
[epiroc.com](https://www.epiroc.com)

